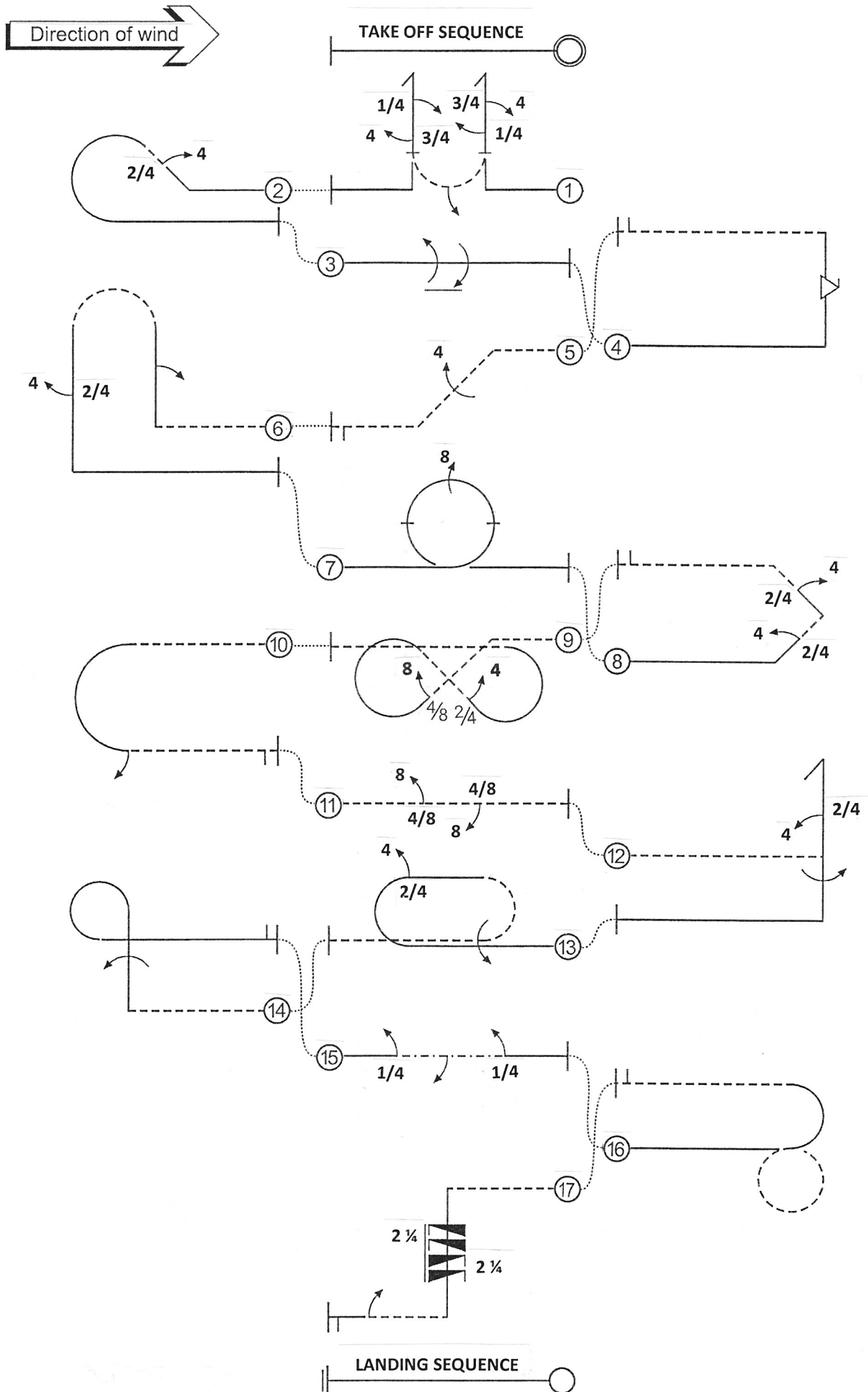
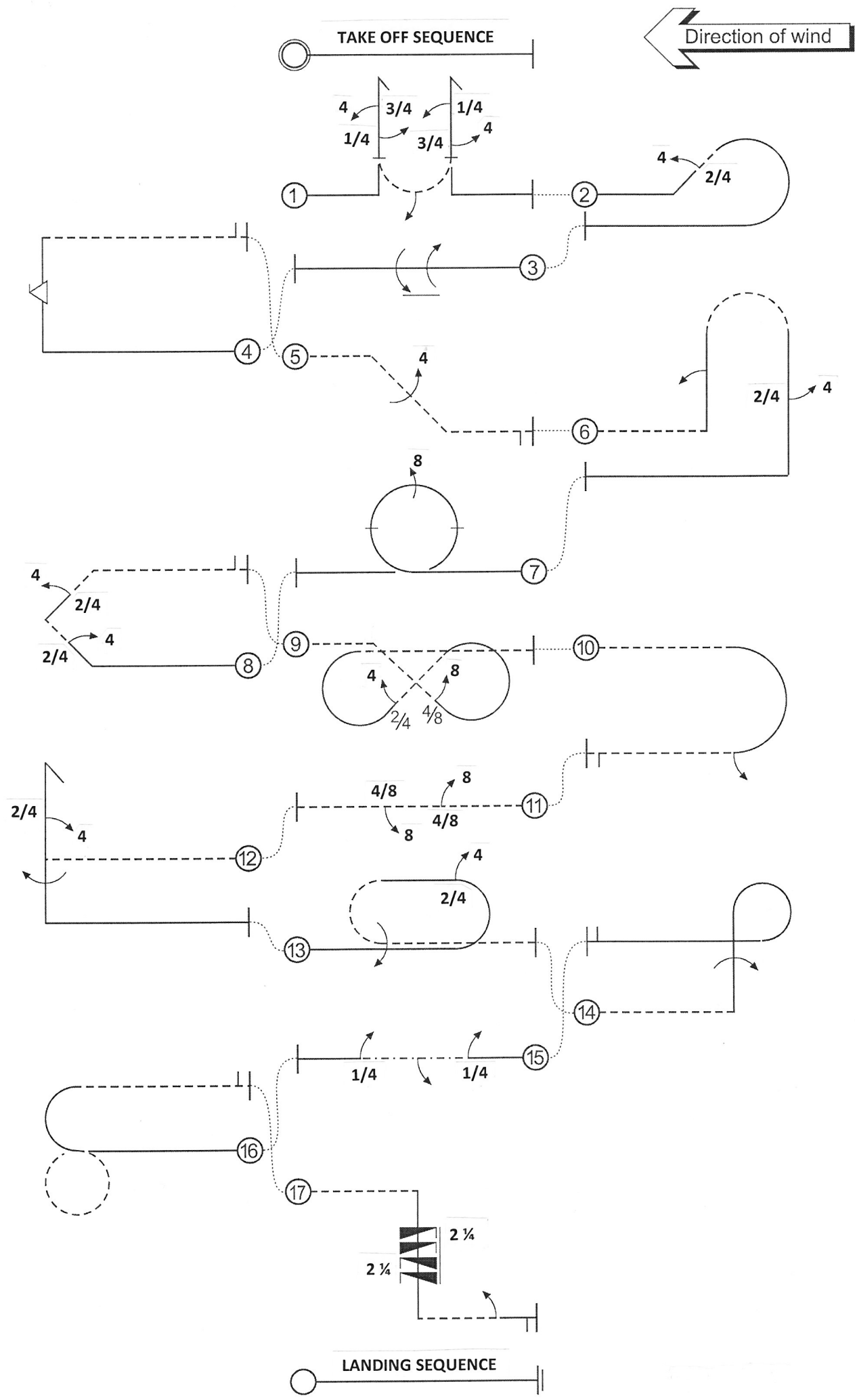


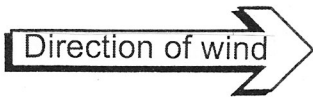
PRELIMINARY SCHEDULE P-11 (from January 2010)



PRELIMINARY SCHEDULE P-11 (from January 2010)



SEMI-FINALS AND FINALS SCHEDULE F-11 (from January 2010)



TAKE OFF SEQUENCE

